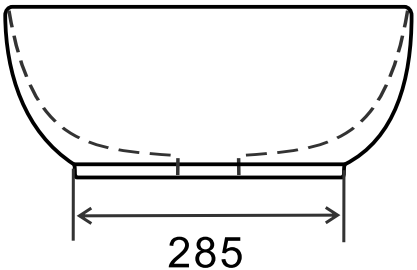
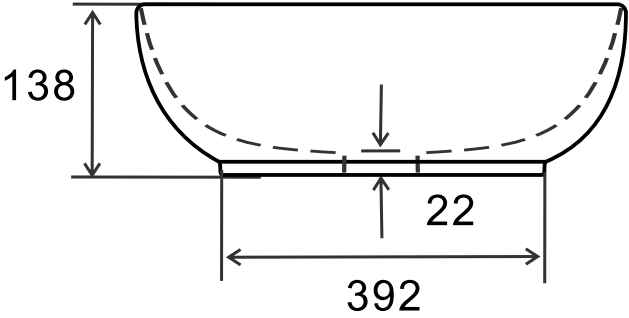
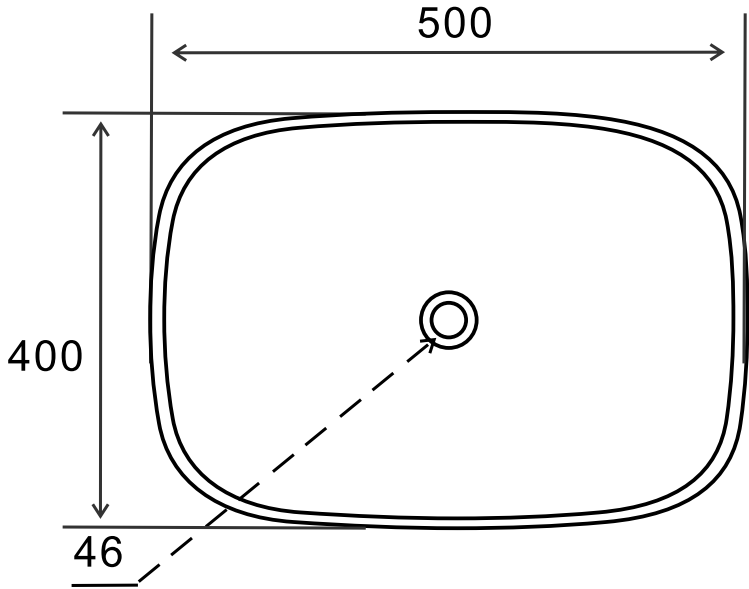


TR41015



2023-7-22